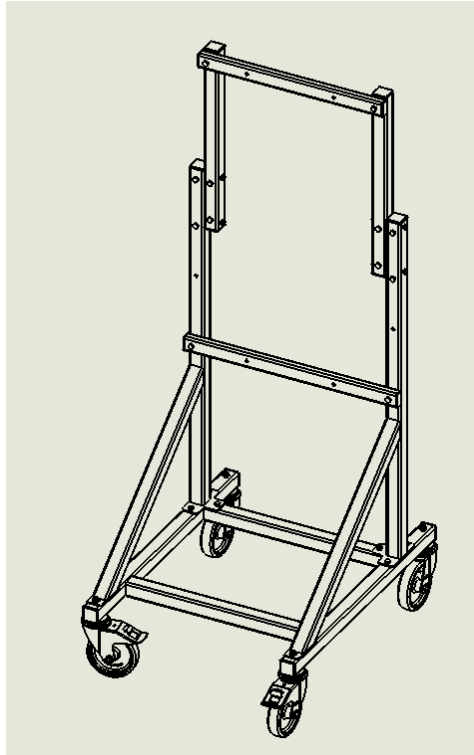


# airpointer workshop trolley

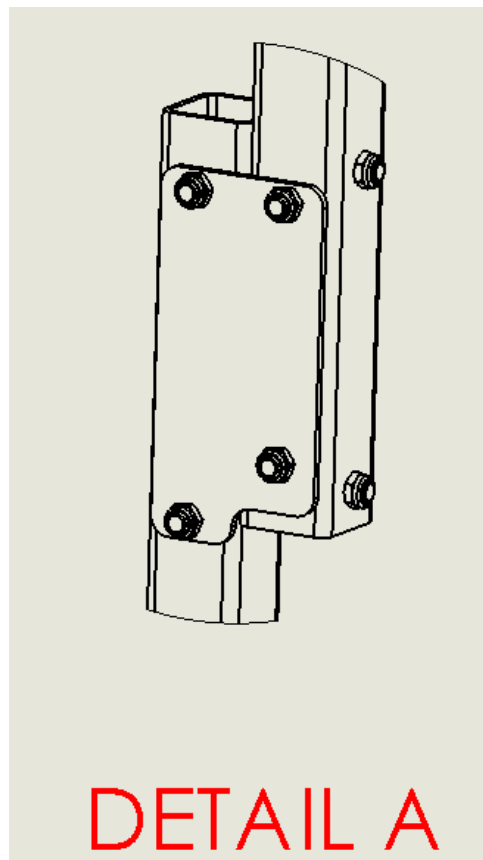
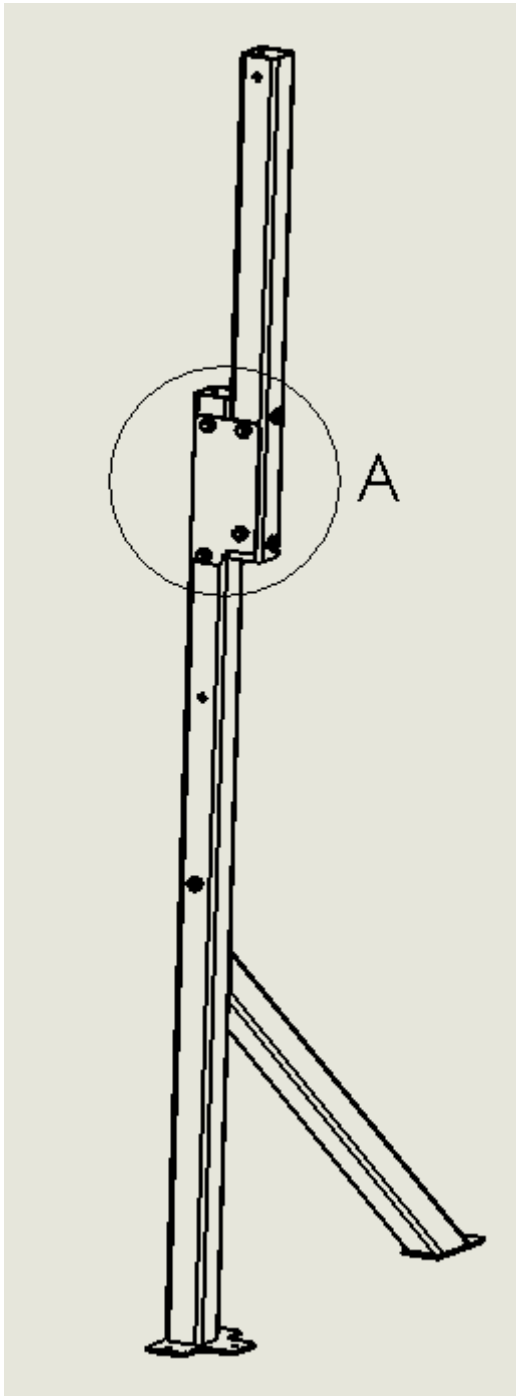
800-100102



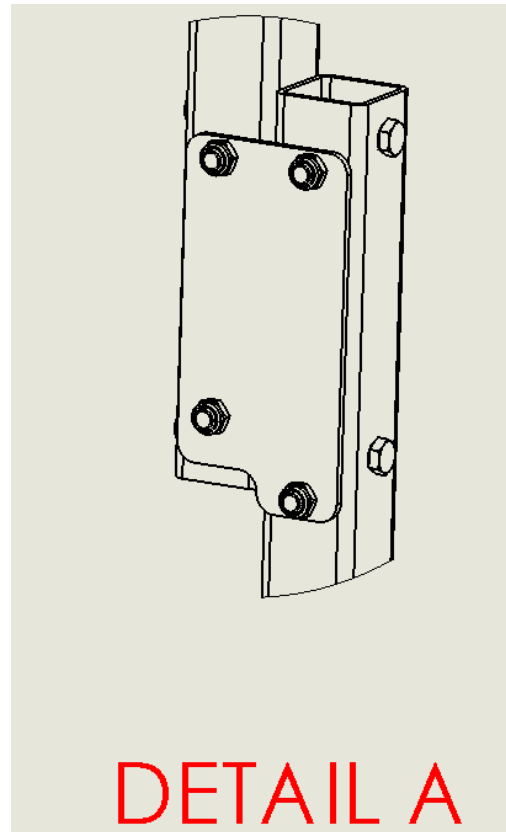
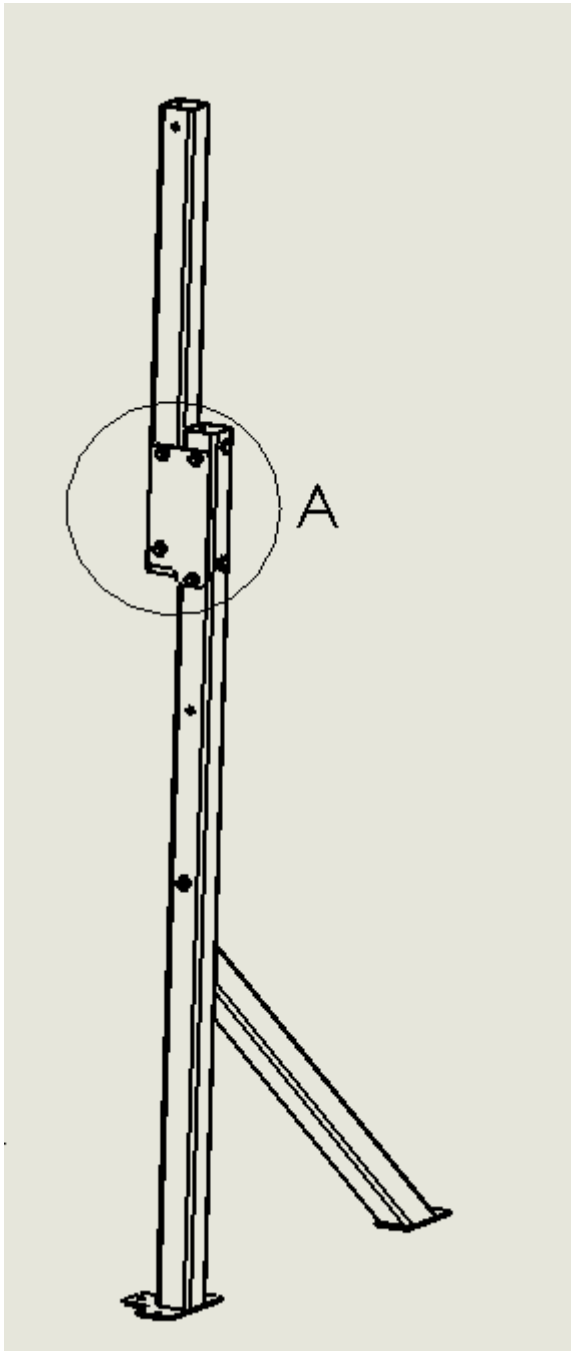


POS-NR.	DESCRIPTION	PART NUMBER	QUANTITY
1	baseframe	801-100900	1
2	beam L	801-100901	1
3	wheel 160	800-303140	2
4	wheel 160-FI	800-303141	2
5	washer 70	801-100902	4
6	beam R	801-100903	1
7	pipe cap 50x50	800-303138	10
8	extension	801-100904	2
9	top strut	801-100905	1
10	lower strut	801-100906	1
11	gusset plate	801-100907	2
12	rectangle cap 50x30	800-303139	4
13	screw M10 x 65	800-302165	14
14	screw M10 x 90	800-302166	4
15	screw M10 x 110	800-302167	4
16	screw DIN 912 M12 x 85	800-302168	4
17	screw nut M12	800-302169	4
18	screw nut M10	800-302170	22
19	knurled nut DIN 466 M10	800-302127	4
20	M10 washer	800-302061	4
21	M10 x 60 screw	800-302126	4

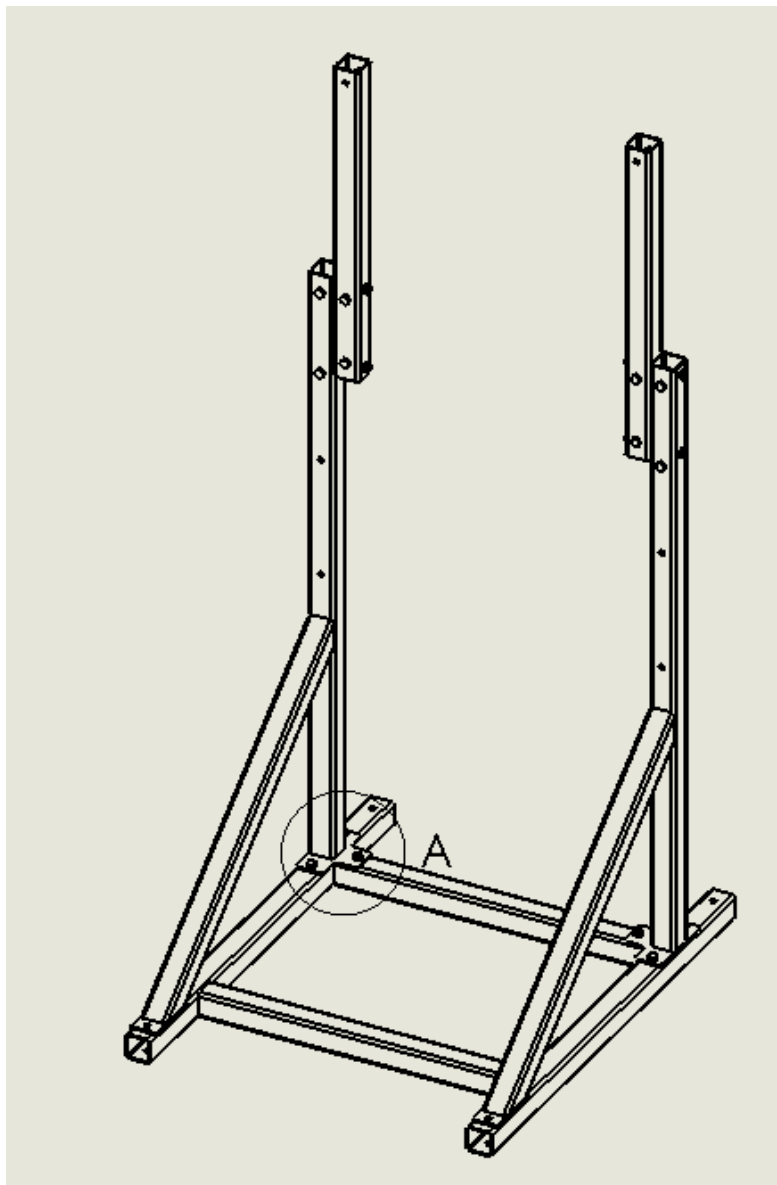
- 1) 6 beam R x1  
8 extension x1  
11 gusset plate x1  
13 screw M10 x 65 x4  
15 screw M10 x 110 x2  
18 screw nut M10 x6



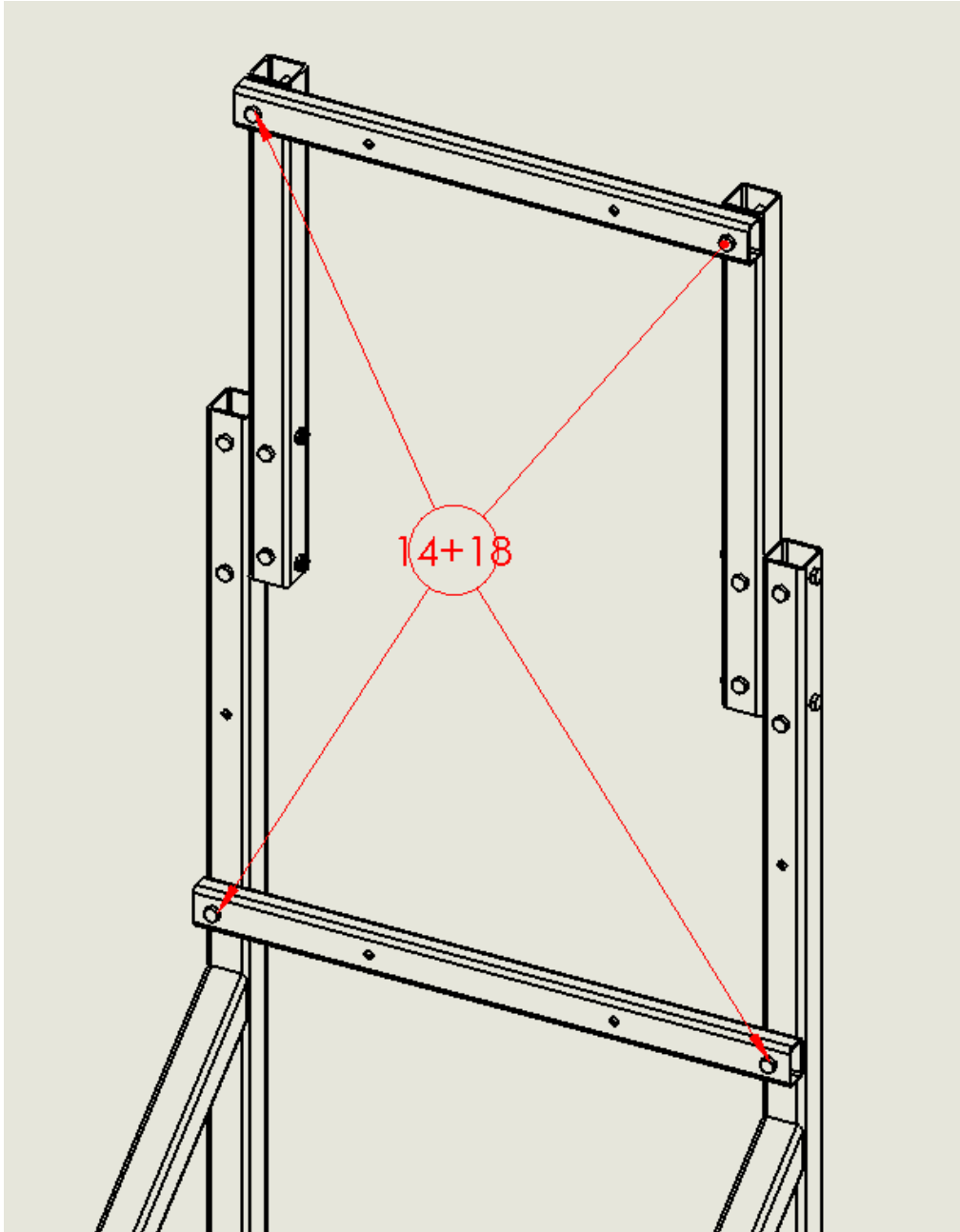
- |    |    |                 |    |
|----|----|-----------------|----|
| 2) | 2  | beam L          | x1 |
|    | 8  | extension       | x1 |
|    | 11 | gusset plate    | x1 |
|    | 13 | screw M10 x 65  | x4 |
|    | 15 | screw M10 x 110 | x2 |
|    | 18 | screw nut M10   | x6 |



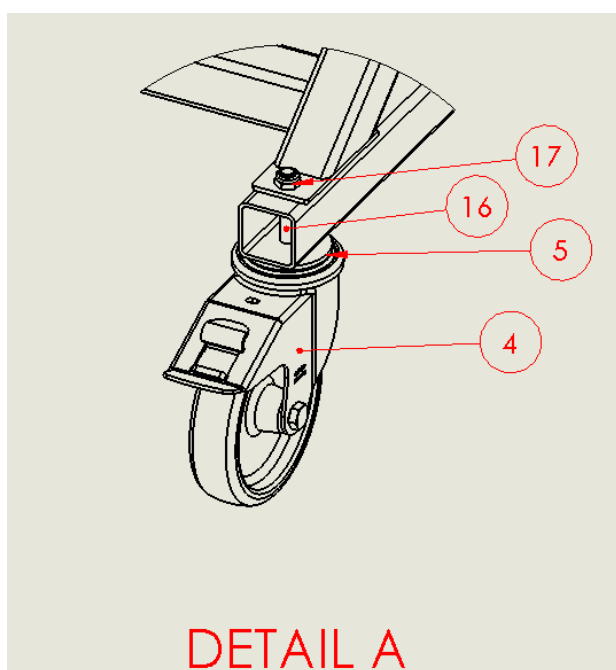
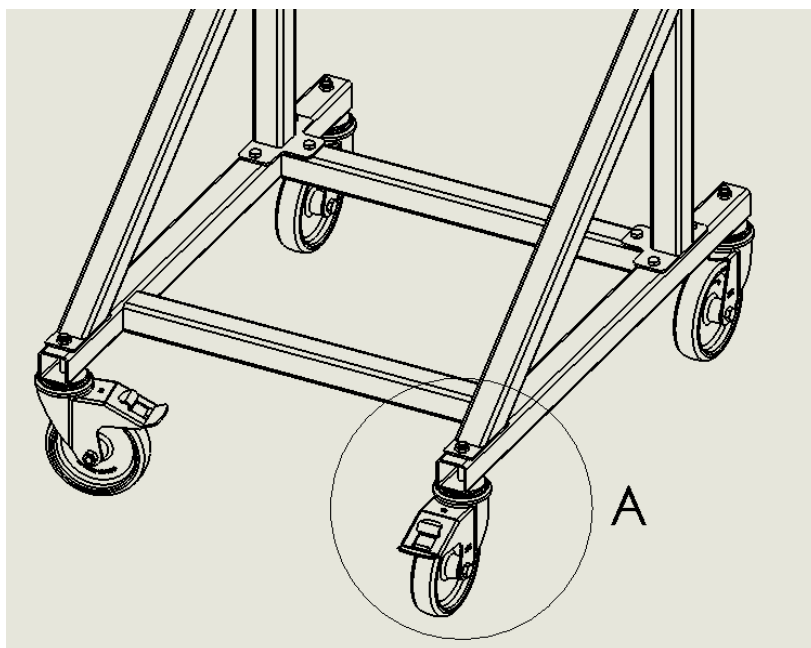
- 3) 1 baseframe x1  
13 screw M10 x 65 x6  
18 screw nut M10 x6



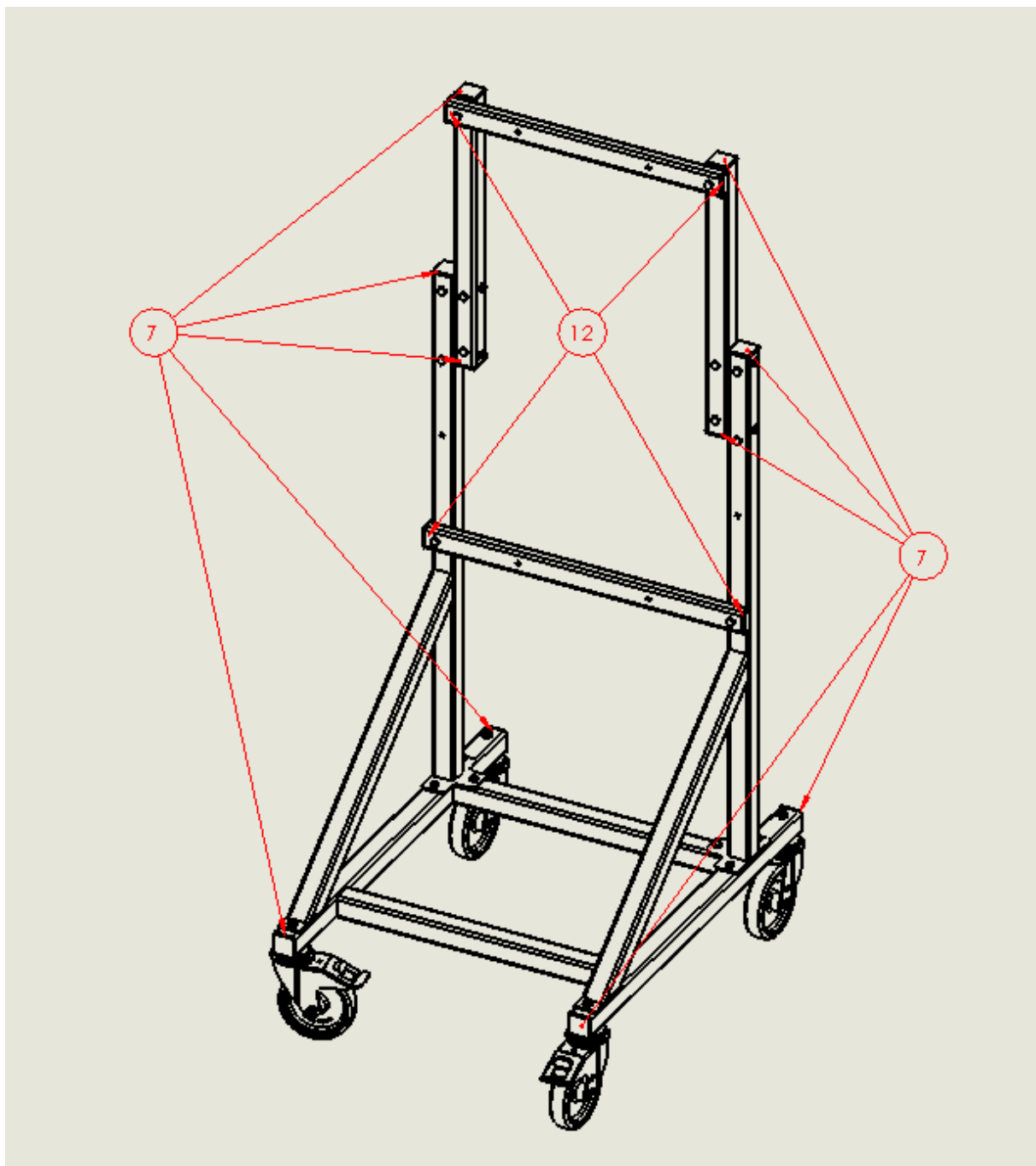
- 4)
- |    |                |    |
|----|----------------|----|
| 9  | top strut      | x1 |
| 10 | lower strut    | x1 |
| 14 | screw M10 x 90 | x4 |
| 18 | screw nut M10  | x4 |



- 5) 16 screw DIN 912 M12 x 85 x4  
17 screw nut M12 x4  
5 washer 70 x4  
3 wheel 160 x4  
4 wheel 160-FI x4

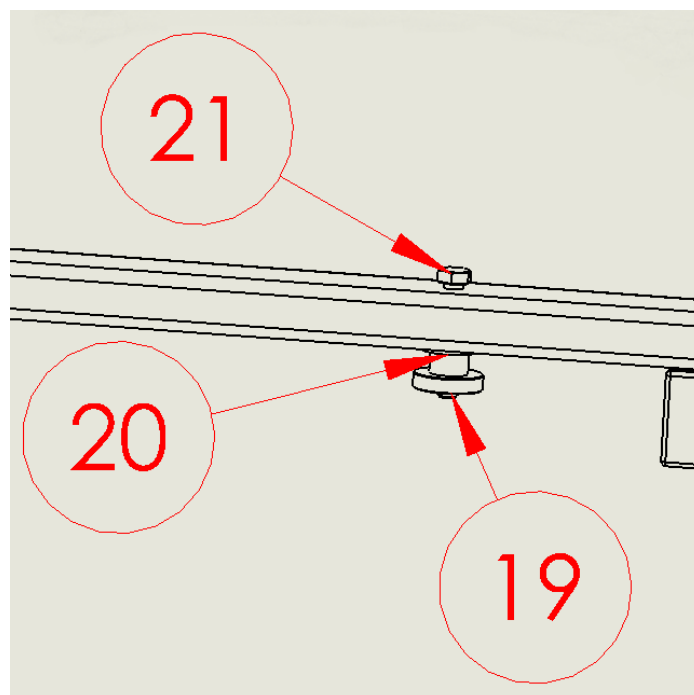
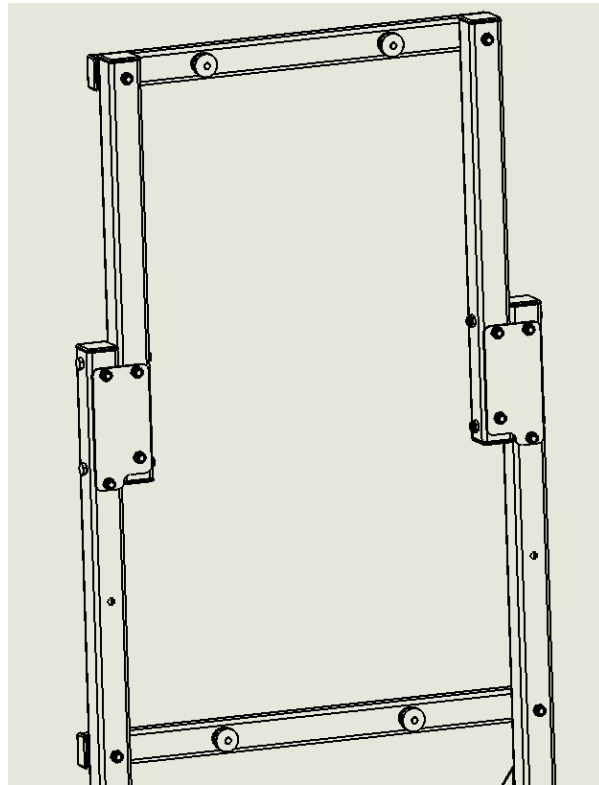


- 6) 7 pipe cap 50x50 x10  
12 rectangle cap 50x30 x4





- 7) 19 knurled nut DIN 466 M10 x4  
20 M10 washer x4  
21 M10 x 60 screw x4



8)

